

Yuan An Works Co., Ltd.

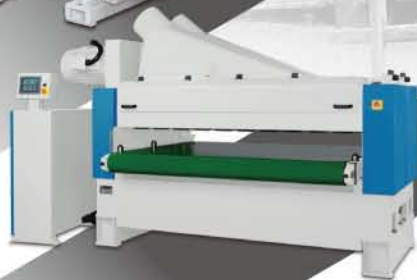


*For Construction Materials
And Landscape Engineering*



4-SIDE PLANER

PLANER



NOTCHING MACHINE



4-SIDE PLANER

AN-500-4V AN-650-4V

4-SIDE PLANER

A 4-side planer that is especially ideal for construction materials and landscape engineering.



4 Spindles Configuration

Cutting Width 70~500mm / 70~650mm

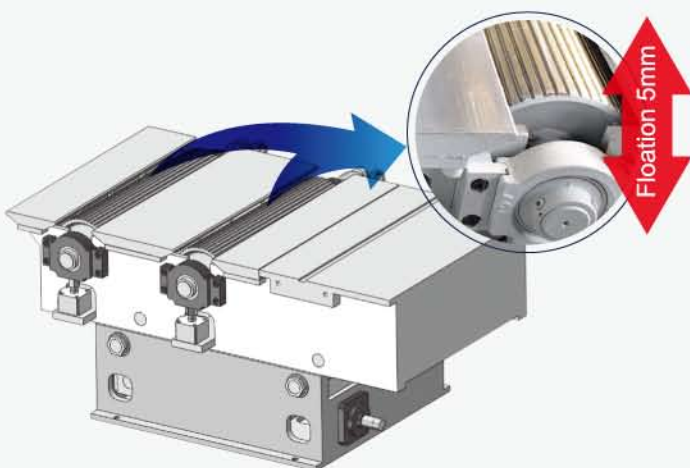
Cutting Thickness 20~250mm

(Cutting Thickness 20~300mm Opt.)



Outstanding Features for Increased Operational Performance

- ◆ Floating infeed rollers for added smoothness of feeding.
- ◆ Digital position controllers for thickness and width setting.
- ◆ Variable feed speed is controlled by a frequency inverter.
- ◆ Individual universal joint transmission for each feed roller.
- ◆ Powered elevation of upper mechanism.
- ◆ Profiled cutterhead on vertical spindle is available (optional).
- ◆ The table is hard chrome plated with precision ground to provide a smooth feeding effect and maximum wear-resistance.
- ◆ 4 posts are hard chrome plated.
- ◆ Overload protection.



Floating Bottom Infeed Roller

- The bottom infeed roller is designed with floating feature for increased smoothness of feeding.
- Floating amount is 5mm.

Centralized Control Panel

- All motion controls are centralized on a control panel for operational convenience.
- A speed regulator is provided on the control panel to adjust feed speed.

Digital Position Controllers

There are two digital position controllers equipped on the machine. One is used for width setting and indication. The other one is used for thickness setting and indication.



Accurate Infeed Fence Adjustment

The infeed fence is adjusted through a screw for higher positioning accuracy.



Centralized Pressure Gauges

Pressure gauges for top and bottom infeed rollers, side pressure rollers and outfeed rollers are centralized at front of the machine for convenient check.



Linear Ways

The top and side pressure devices for right and left vertical spindles move on precision linear ways, allowing smooth movement of pressure devices.



Profiled Cutterhead On Vertical Spindle (Optional)

- The 3rd and 4th vertical spindles are supplied with straight cutterhead as standard equipment.
- Upon request, both vertical spindles can be fitted with profiled cutterheads (Optional).
- Max. cutterhead diameter is Ø180mm.

Tersa System Cutterhead On 3rd And 4th spindle (Standard)

The 3rd and 4th vertical spindles are mounted with Tersa system cutterhead as standard equipment.

Features Of Tersa System Cutterhead

- Knife change in seconds.
- Knives are clamped by centrifugal force and gib wedges-no screws.
- Easy maintenance.
- Less power consumption.
- Low noise.



Universal Joint Transmission

- Each feed roller is driven by individual universal joint for extra powerful feeding performance.
- With the powered feed rollers, the machine is capable of feeding any difficult materials with maximum smoothness.

SPECIFICATIONS

MODEL		AN-500-4V	AN-650-4V
Working Dimensions			
Planing width	mm	70 ~ 500	70 ~ 650
Planing thickness	mm	20~250 (20~300 Opt.)	20~250 (20~300 Opt.)
Planing length	mm	1,800	1,800
Feed speed	M/min	6 ~ 20	6 ~ 20
Drive Motors			
Bottom spindle	HP	10	15
Top spindle	HP	15	20
Left vertical spindle	HP	10	15
Right vertical spindle	HP	15	20
Feed motor	HP	7.5	10
Tool Dimensions			
Horizontal spindles	mm	125	125
Vertical spindles	mm	125 ~ 180	125 ~ 180
Extraction Connection			
Horizontal spindles	mm	150	200
Vertical spindles	mm	150	200
Machine dimensions	cm	280 x 220 x 240	280 x 230 x 240
Weight	kgs	7,000	9,000

All specifications and design characteristics shown in this catalogue are subject to change without notice.

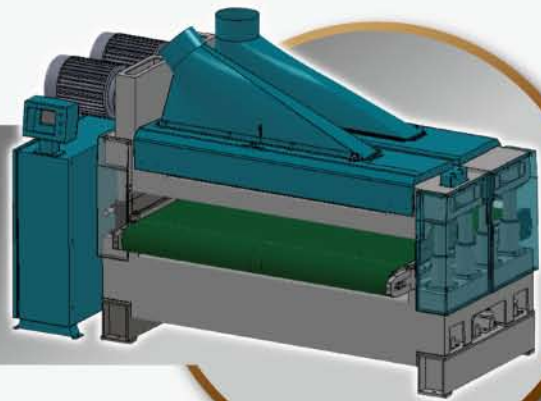
PLANER *Planing width: 1,500 / 2,100mm* AN-983

Quality features for excellent capacity, efficiency and convenience.

- ◆ Combine two cutterheads in one for coarse and fine cutting.
- ◆ Two cutterheads are adjusted independently.
- ◆ Powered upper mechanism elevation provides convenient thickness adjustment.
- ◆ Conveyor belt feed.
- ◆ Variable feed speed is controlled by a frequency inverter.
- ◆ PLC control plus touch-sensing screen.
- ◆ Sectional infeed roller and pressure plate.

Two Cutterheads

- The first cutterhead is a helical type used for coarse cutting.
- The second cutterhead is a straight type used for fine finishing.

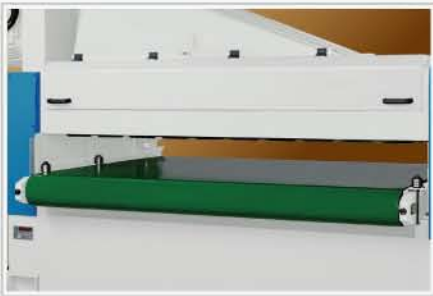




Helical Cutterhead

The helical cutterhead provides outstanding features as:

- Higher chip removal rate.
- Greatly reduces noise level.
- Reduce torque and horsepower requirement.
- Accurate helix angle assures superior cutting performance.



Conveyor Belt Feed

Instead of conventional roller feed on most planers, the Yuan An planer is specially designed with conveyor belt feed. It ensures stable and smooth feed especially when planing plastic material.



Sectional Infeed Roller And Pressure Plate

The sectional, air loaded infeed roller and pressure plate contribute to create fine finish even planing workpiece with uneven thickness.



Touch-sensing Screen

The first helical cutterhead and the second straight cutterhead are accurately and conveniently adjusted on the touch-screen.

SPECIFICATIONS

MODEL		AN-960	AN-983
Working Dimensions			
Planing width	mm	50 ~ 1,500	50 ~ 2,100
Planing thickness	mm	10 ~ 250	10 ~ 250
Working length	mm	1,000	1,000
Feed speed	M/min	2 ~ 15	2 ~ 15
Drive Motors			
First motor	HP	40	50
Second motor	HP	40	50
Infeed motor	HP	5	7.5
Tool Dimensions			
First spindle	mm	180	180
Second spindle	mm	180	180
Extraction Connection			
First spindle	mm	300	300
Second spindle	mm	300	300
Machine dimensions	cm	280 x 200 x 225	340 x 200 x 225
Weight	kgs	7,000	8,000

All specifications and design characteristics shown in this catalogue are subject to change without notice.

NOTCHING MACHINE AN-423

AN-423 is designed for making corner jointer notches for rectangular logs.



Possible Notching Modes:

- ◆ Complete four-sided notching.
- ◆ Complete four-sided notching at log end.
- ◆ Side notching
- ◆ Upper notching / bottom notching.



The machine is equipped with four notching units, two on horizontal guides and two on vertical guides. Movements of units are performed by means of hydraulic cylinders.



Double match



Single match

SPECIFICATIONS

AN-423		Vertical Notching Unit	
Log thickness (Max.)	230mm	Spindle diameter	50mm
Log width (Max.)	230mm	Cutterhead length (Max.)	200mm
Notching depth (Max.)	70mm	Cutterhead diameter (Max.)	230mm
Motor Powers		Horizontal Notching Unit	
Horizontal notching unit	5HP x 2	Spindle diameter	50mm
Vertical notching unit	5HP x 2	Cutterhead length (Max.)	200mm
Hydraulic unit	3HP	Cutterhead diameter (Max.)	230mm
Total power	23HP	Spindle speed	4,000mm

All specifications and design characteristics shown in this catalogue are subject to change without notice.



YUAN AN WORKS CO., LTD.

No. 302, Sec 2, Tanfu Rd., Tanzi District, Taichung City, Taiwan 427.

TEL: +886-4-2534 1931, 2534 8660 FAX: +886-4-2534 9369

E-mail: an.planer@msa.hinet.net http://www.yuanan.com.tw

